

# CNC RACK TYPE SPLINE / PROFILE ROLLING MACHINE

## Features:

- Dual Servo Drive for both the rack holders
- Servo drive for job feeding axis (optional)
- Compact foot print (vertical type machine)
- Hardened and ground guideways
- Ball screws with continuous oil circulation (with oil chiller)
- Robust and ergonomic design

## World class rack die manufacturing facility

in collaboration with ESCOFIER, France

MRR 610 C

[www.mteindustries.com](http://www.mteindustries.com)



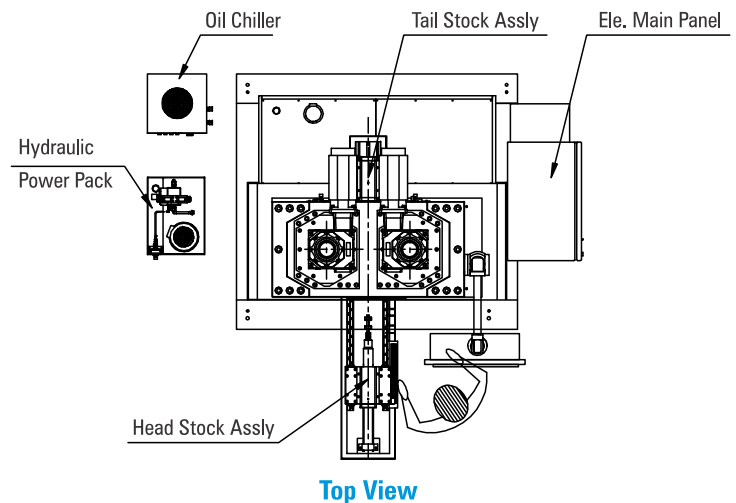
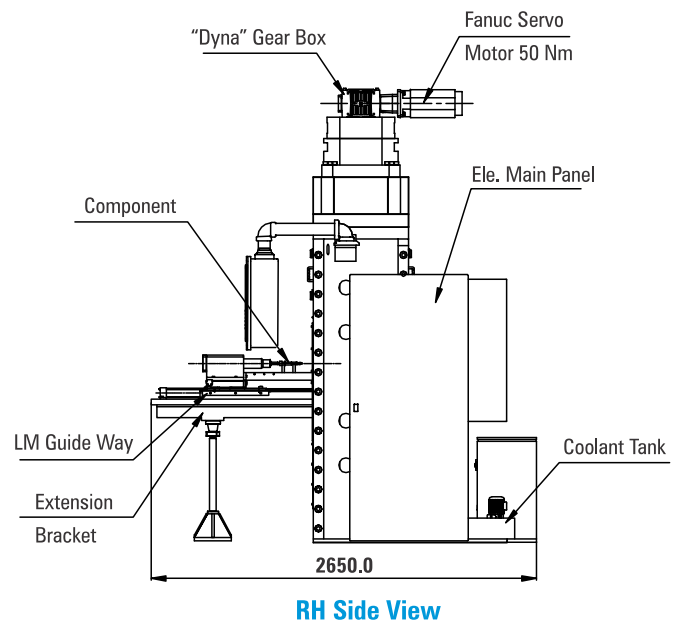
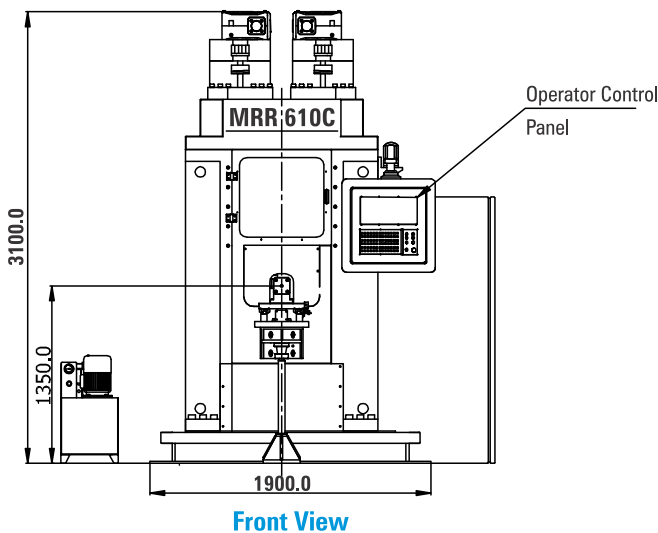
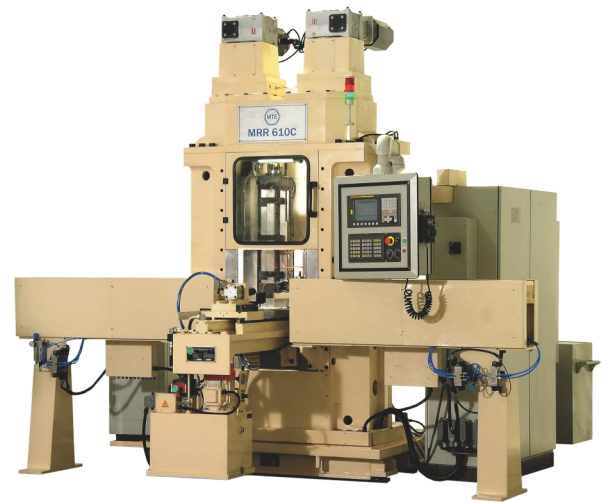
**MTE Industries**  
Technology...Quality...Reliability...

## APPLICATIONS



## Specifications

	MRR 915C	MRR 610C
Maximum rolling Dia (mm)	: 40	: 40
Maximum rack holder width (mm)	: 170	: 150
Maximum rolling module (mm)	: 1.3	: 1.0 (24/48 DP)
Maximum rack length (mm)	: 914.4 (36")	: 609.6 (24")
Maximum rack stroke (mm)	: 1050	: 750
Opening section distance (mm)	: 139.7	: 139.7
CNC System	: Fanuc OiTD	: Fanuc OiTD
Ball Screw diameter for rack holder (Dia X Lead in mm)	: 80 X 20	: 63 X 20
Servo Motor capacity (Nm)	: 150	: 150
Operating feed rate (m/min)	: 12	: 12
Guide ways	: Box type	: Box type
Job feeding system	: Hydraulic	: Hydraulic
Guide ways	: LM Guideways - Twin	: LM Guideways - Twin
Length x width x height (mm)	: 1300 X 2600 X 4000	: 1300 X 2600 X 2600
Working height (mm)	: 1800	: 1300
Total machine weight (kgs)	: 16000	: 6000



**MTE Industries**  
Technology...Quality...Reliability...

**MTE INDUSTRIES PVT. LTD.**  
58/A SVCIE, Balanagar, Hyderabad 500037, A.P. INDIA.  
Phone: +91-40-23773526, 23777571  
Email: info@mteindustries.com