

THREAD ROLLING MACHINE

Features:

- Outstanding Accuracy and Rigidity
- Strong Machine for Cold-forming Method
- Economic Production of External Thread Profiles with First Class Quality
- Versatile and Flexible
- Ergonomic Design
- Robust Machine



MTR 15Expo

Applications:

- Metric Threads
- UN Threads
- Acme Threads
- Whitworth Threads
- Buttress Threads
- Knurling
- Serrations (for limited module)
- Bumishing
- Special Profiles

www.mteindustries.com



MTE Industries
Technology...Quality...Reliability...



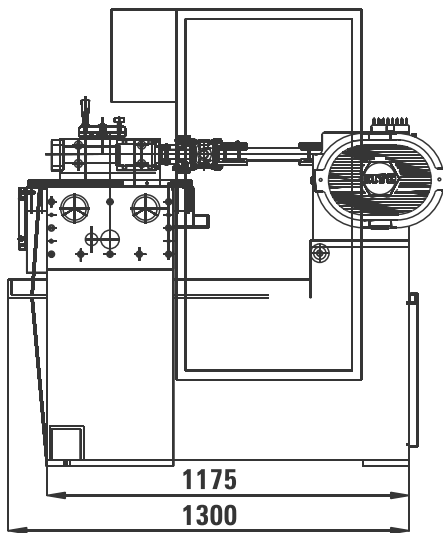
Specifications

■ Max Job Diameter (Infeed)	: 50
■ Maximum Pitch	: 4
■ Maximum Rolling Length (Infeed)	: 130
■ Maximum Job Diameter (Thru feed)	: 45
■ Roll Diameter Min - Max	: 130/180
■ Maximum Width of Rolls	: 130
■ Roll Shaft Diameter **	: 54
■ Roll Shaft Keyway size	: 12
■ Height from Base plate till Roll Shaft Centre	: 84
■ Maximum Rolling Force in Tons	: 15T
■ Maximum Speed of rolls (RPM)	: 100
■ Change of Speed (RPM) *	: Change Gear
■ Slide Movement Rapid (Forward/Reverse)	: 0.8m/min
■ Operating Height	: 1000
■ Overall Size L X W X H	: 1350 x 1300 x 1450
■ Power	
■ Rolls Motor	: 3.7 kW
■ Hydraulic Motor	: 2.2 kW
■ Coolant Motor	: 0.1 kW
■ Lubrication Motor	: 0.12 kW
■ Total Power rating	: 6.12 kW
■ Weight (approx.)	: 2200

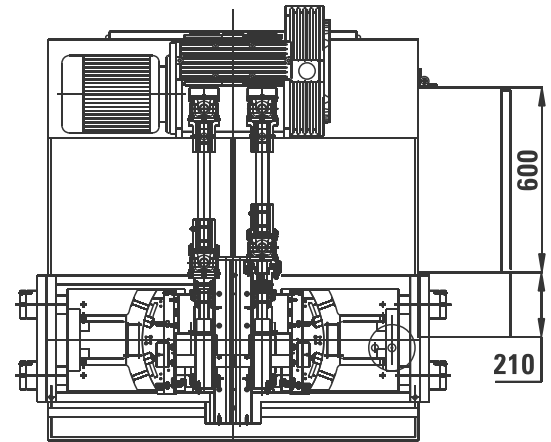


* Lever type RPM Changing system is Optional

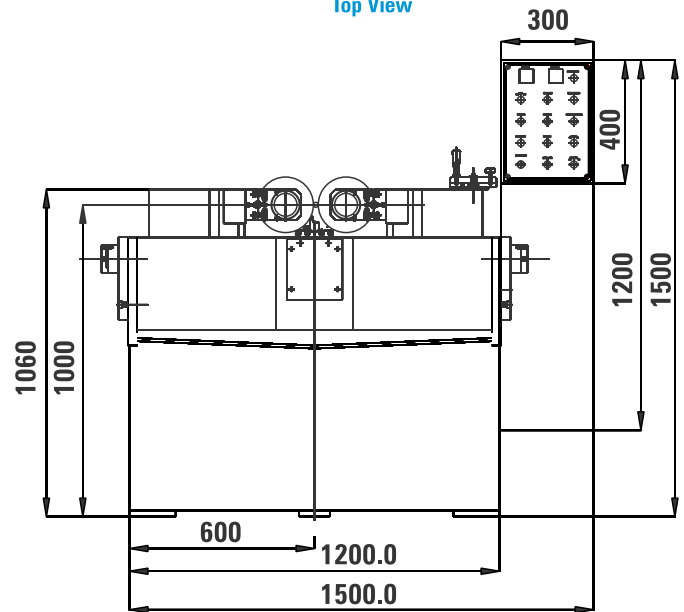
**Can be changed as per customer's requirement (within the limitations of the machine)



RH Side View



Top View



Front View



MTE Industries
Technology...Quality...Reliability...

MTE INDUSTRIES PVT. LTD.

58/A SVCIE, Balanagar, Hyderabad 500037, A.P. INDIA.

Phone: +91-40-23773526, 23777571

Email: info@mteindustries.com